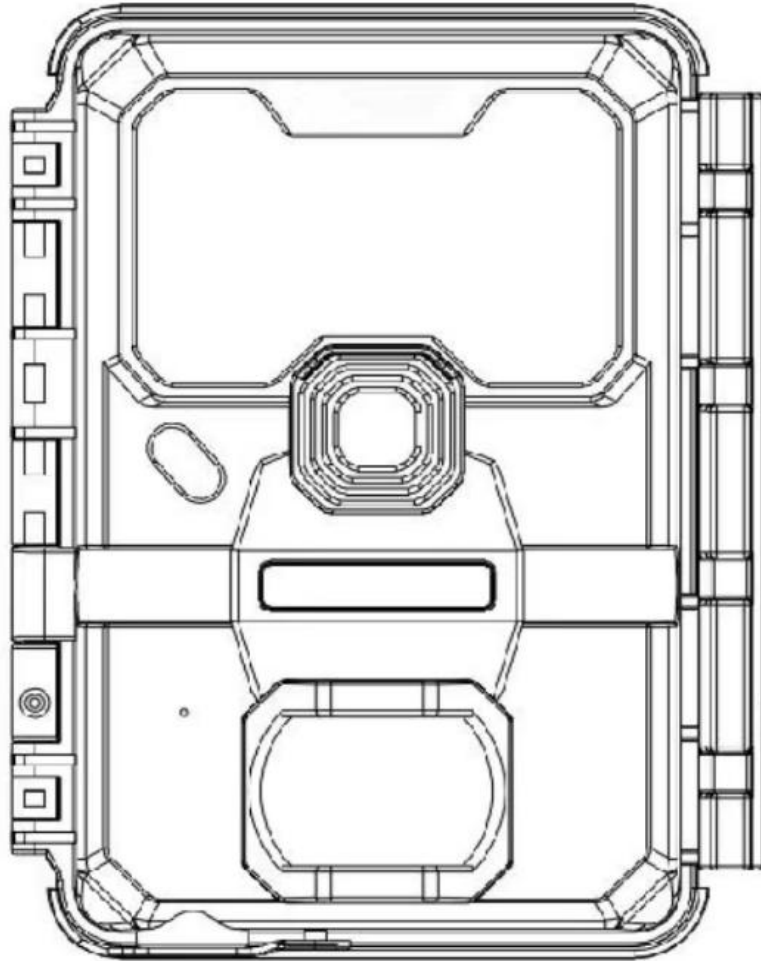


This is the newest scouting camera which is designed for activity and is resistant against water and snow. It is equipped with built-in infrared sensor, so that it can be triggered accurately by heat sources, then take **32MP** high quality pictures or **4K** videos. Please refer to the notes below to ensure that you are completely satisfied with this product.



Contents

<u>Quick Start Note</u>	2
<u>before use</u>	3
<u>View Drawings</u>	4
<u>Camera Overview</u>	5
<u>Standard Accessories</u>	6
<u>Power Supply</u>	7
<u>SD Card</u>	7
<u>Operational Modes</u>	8
<u>Setting</u>	9-11
<u>Mounting and Positioning</u>	12
<u>Specification</u>	13-14
<u>Warranty Card</u>	15-16

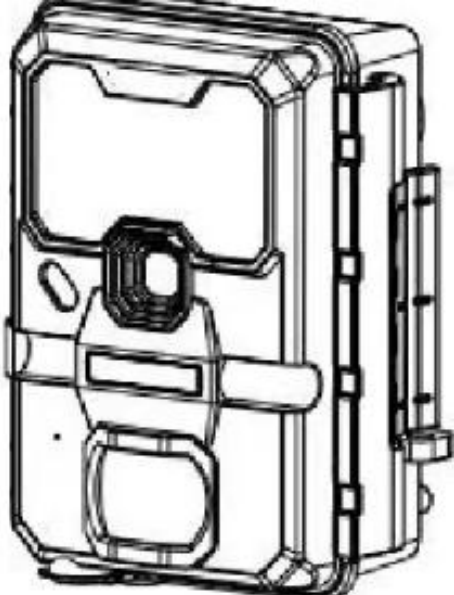
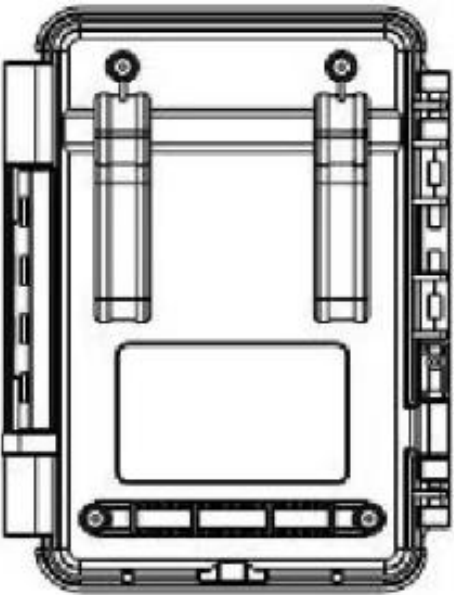
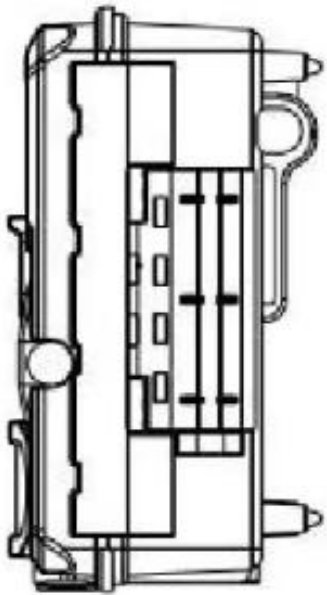
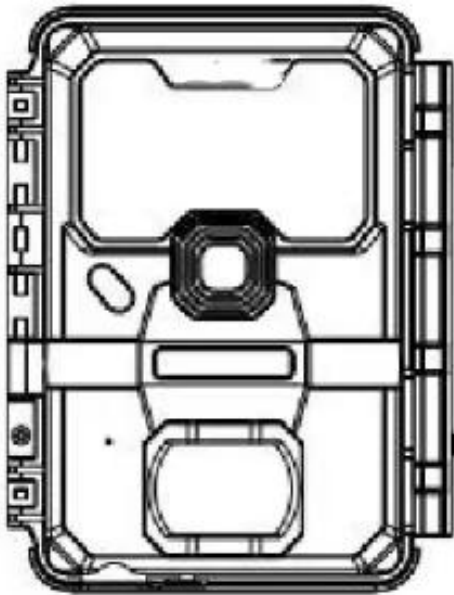
Quick Start

- ※ Move the latch and open the camera case
- ※ Load 8 lithium AA(non-rechargeable) or alkaline AA batteries
- ※ Insert the SD card and format
- ※ Switch to the ON Mode
- ※ Press " UP/DOWN " key to select Video/camera Mode
- ※ Press " MENU " key to setting camera function
- ※ Close the case and position the camera for using
- ※ Switch to the ON Mode and the camera has started working after 10s

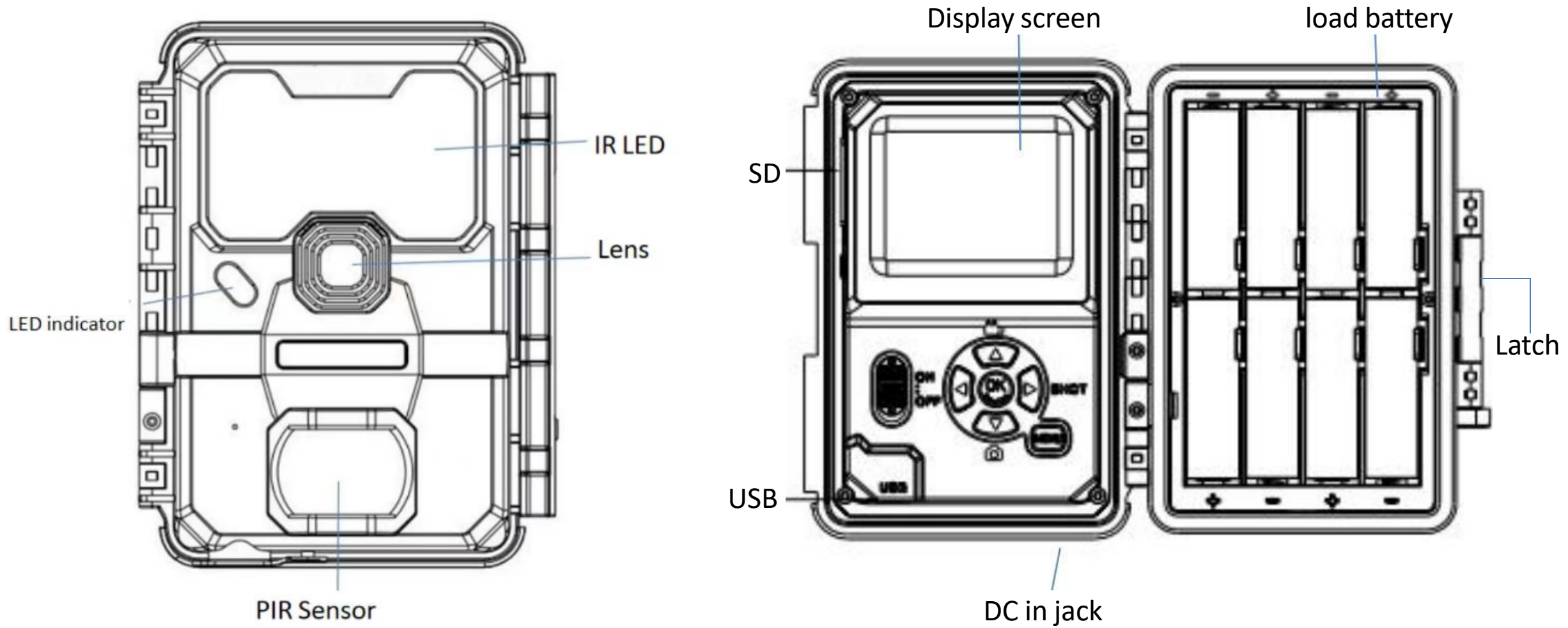
Notes Before Use

1. To replace the battery, SD card, firstly turn camera to OFF mode.
2. Color of Indicator
 - 1) When camera is updating firmware, indicator light flashes green.
 - 2) The indicator light flashes red when it is turned on or ready for operation.
 - 3) low battery, the indicator light flashes blue.
 - 4) long standby time, the indicator flashes purple.
5. Batteries need to use dry batteries, do not use rechargeable batteries.
6. When the SD card is inserted into camera, make sure that the SD card is not in lock state.
7. When using an external power supply, make sure that voltage is 6V.
8. Please take out the battery to avoid leakage of the battery if camera is not used for a long time.
9. Camera can not be directly immersed in water, can not be placed in the environment of strong acid and alkali.
10. Don't use your fingers to press the Fresnel lens.
11. Keep the lens and battery compartment clean.
12. Do not use sharp hard objects to scratch screen.

View Drawings



Camera Overview



Standard Accessories



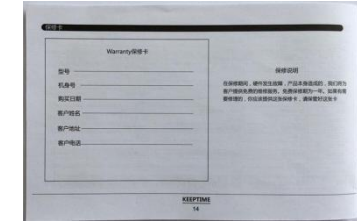
1× Belt



1× USB



1× Case

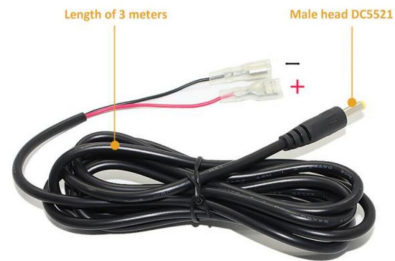


1× Manual

Other Accessories (not included)



1× Security Case



1× External battery connection wire



1× Cradle Head

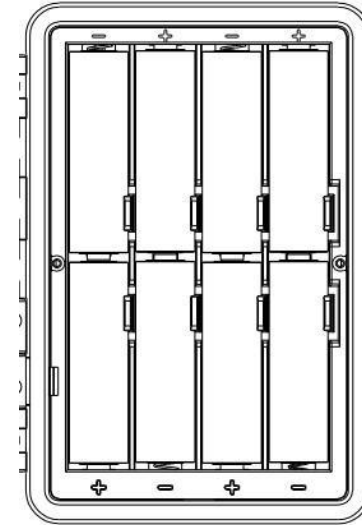


1× SD CARD

Power Supply

After opening the latch on the right side of the camera, you will see that it has 8 battery slots. Please use 8 lithium AA or alkaline AA batteries.

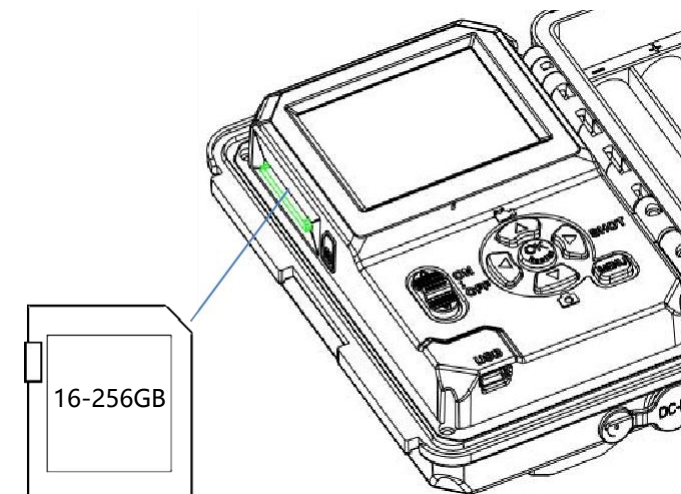
Please be sure to insert each battery with correct polarity (negative or "flat" end against the long spring of each battery slot).



SD Card

Insert the SD card (at least 10 class) before beginning to operate the camera. SD card is supported up to maximum 256GB capacity.

Support image recycle function, please turn on recycle function from camera's menu if you need it.



Operational Modes

The cam has two basic operational modes: 「OFF」 , 「ON」

● 「OFF」 Mode

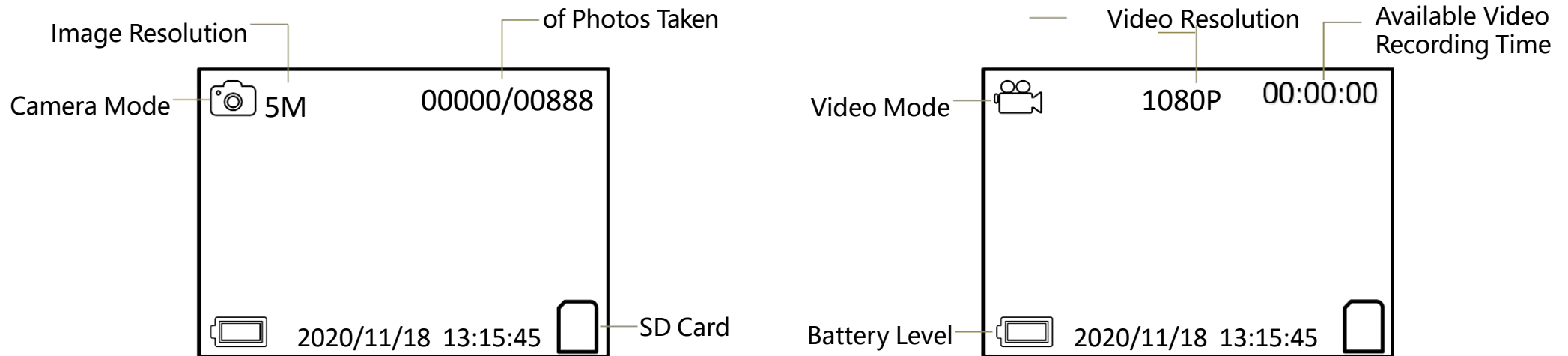
When cam is in OFF mode, you can do the following:

- Replacing the SD card or batteries
- Connecting cam with other device by USB port

It will occur a little of power consumption under OFF mode. If you won't use it for a long time, please take batteries off.

● 「ON」 Mode

In the ON mode you can check and change the settings of the cam with the help of built-in LCD. Moving the power switch to the ON position will turn on the LCD display and you will see an information screen as below.



Setting



Mode: Photo, Video, Dual

Flash Mode: Long Range, Motion Fast, Short Range

PIR Interval: Defaulted 30seconds, optional from 10seconds to 60minutes. The camera won't record any image or videos during the selected interval.

PIR Sensitivity: High, Medium, Low, Auto

Work Time: off/on

When select ON mode, camera only active within a certain time. E.g.: Set start time to 17:35 and end time to 7:25, the camera will be operational from 5:35pm of the current day until 7:25 am of the next day. Camera won't be triggered and won't take any photos/videos outside of this period.

Time Scan: Off/ON (optional from 5 seconds to 24 hours)

When selected on, the camera will take photo/video automatically in the selected time regardless of whether the PIR sensor has detected a motion or not. Note: In this mode, PIR function still working, camera will take photo/video in the interval time when PIR sensor detects a motion.

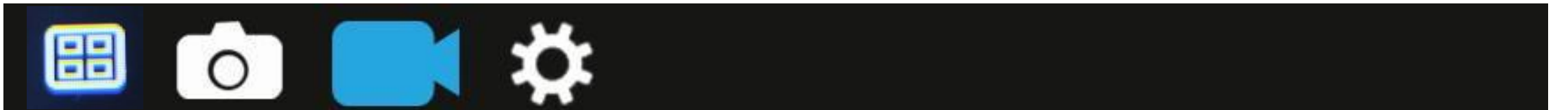
Setting



Image Size: 4M, 16M, 32M

Burst: 1-9 photos.

Select the number of photos to be taken in succession.(Available on Photo mode)



Video Size: 720P, 1080P,4k

Video Length: 5-60 seconds

Specify the duration of a video recording when the camera is triggered automatically. Video's recording period won't be limited in Setup mode.

Video Sound: on/off

Setting



Date/Time: Set day and time

Language: English,French,Spanish, Portuguese, German,Italian, Simplified Chinese,Chinese Traditional, Russian, Japanese.

Default Setting: Press “OK” to reset the camera to default setting.

Format: Press “OK” to format the SD card, all files will be deleted by formatting.

Camera Name: KW788(You can change the name in APP setting)

The name can be a combination of 10 digits, 26 capital letters and 26 small letters.

Password Setting: off/on

Select “On” will enter a four-digit password to protect your camera against unauthorised access.

This password must be inputed everytime when user want to open the camera.

Loop Storage:When the SD card is full, the oldest photos are automatically deleted.

Date Stamp: On/Off

Select “ON” to print the date, time, temperature, battery state and camera's name

Time Format: 24H/12H

MOUNTING and POSITIONING

Mounting

Optimum height: 5-6.5 inch (1.5-2 m)

Optimum distance: 60inch (9m) - 10inch (3m)

There are two ways to mount cam: using the provided adjustable web belt, or the tripod socket.

- Using the adjustable web belt: Push one end of the belt through the two brackets on the back of cam. Thread the end of the strap through the buckle. Fasten the belt securely around the tree trunk by pulling the end of the strap firmly so there is no slack left.
- Using the tripod socket: The camera is equipped with a socket at the bottom end.

Sensing Angle and Distance Test

To test whether cam can effectively monitor the area you choose, this test is recommended to check the sensing angle and monitoring distance of cam. To perform the test:

- Switch cam to ON mode.
- Make movements in front of the camera at several positions within the area. Try different distances and angles from camera.
- If indicator LED light flash, it indicates that position can be sensed.

The results of your testing will help you find the best place where mounting and aiming the cam. The height from the ground for placing the device should vary with animal size appropriately. In general, 3 to 6 feet is preferred. You can avoid potential false triggers due to temperature and motion disturbances in front of the camera by not aiming it at a heat source or nearby tree branches or brush (especially on windy days).

Specification

Model Number	KW788
Max Pixels	32M
Lens	Lens: f=7.36mm F/NO:2.8 FOV=55°,HOV=42°
IR-Flash Range	36*940nm LEDS
Display Screen	2.4 inch HD Color Display;Mobile APP(Apple store and google play download)
Image Size	32M ;16MP;4M(Recomend)
Video Size	4K ;1080P;720P
PIR Sensitivity	PIR with 4 sensitivity levels:High/ Medium/ Low/Auto
Response Time	Picture trigger: 0.4s;Video trigger: 1.0s
Triggering Interval	10sec-59Min 59sec programmable
Shooting Numbers	1-9 programmable
Video Length	5-60sec. programmable
Power Supply	8×AA recommended;DC6V External Power;
Operating Temperature	-20-60°C (Storage temperature:-30-70°C)
Operating Humidity	5%-90%
Memory Card	SD or SDHC Card, up to 128GB
Detection Range	25-30m
Operation	Day/Night

Specification

Triggering Interval	5sec-23Min 59sec programmable
Recovery Time	Less than 2.0s
Stand-by Time	18 months
Shutter Speed	1/10,1/15, 1/30.
Shooting Numbers	1-10programmable
Video Length	5-180sec. programmable
Stand-by Current	<75uA
Power Consumption	<140mA(500mA when IR-LED Lighted)
Programmable	Timed Scan;Temperature Display;Moon Display;Audio Video;White balance option
Camera Name	Input
User Interface	Mobile APP(apple store and google play download)
Interface	USB;SD card;
Security	Strap;1/4-20 attachment
Size	128x97.5x68.5mm
Operating Temperature	-20°C to 60°C
Operating Humidity	5%-90%
Security Authentication	FCC/CE/RoHs
Waterproof	IP67

Warranty Card

Warranty

Model _____

Serial No. _____

Date of Purchase _____

Your Name _____

Address _____

Tel No. _____

Warranty State

During warranty, hardware failure occurring, which caused by product itself, we will provide free maintenance service for the customer. Free warranty is for the first year. If there is a need for repair, you should offer this warranty card, please take care of this card.

Warning

FCC WARNING:

Note: This equipment has been tested and found to comply with the limits for a Class B digital device, pursuant to part 15 of the FCC Rules. These limits are designed to provide reasonable protection against harmful interference in a residential installation. This equipment generates uses and can radiate radio frequency energy and, if not installed and used in accordance with the instructions, may cause harmful interference to radio communications. However, there is no guarantee that interference will not occur in a particular installation. If this equipment does cause harmful interference to radio or television reception, which can be determined by turning the equipment off and on, the user is encouraged to try to correct the interference by one or more of the following measures:

- Reorient or relocate the receiving antenna.
- Increase the separation between the equipment and receiver.
- Connect the equipment into an outlet on a circuit different from that to which the receiver is connected.
- Consult the dealer or an experienced radio/TV technician for help.

RF Warning: The device has been evaluated to meet general RF exposure requirement. The device can be used in portable exposure condition without restriction.

Warning:

This device complies with part 15 of the FCC Rules. Operation is subject to the following two conditions: (1) This device may not cause harmful interference, and (2) this device must accept any interference received, including interference that may cause undesired operation.