

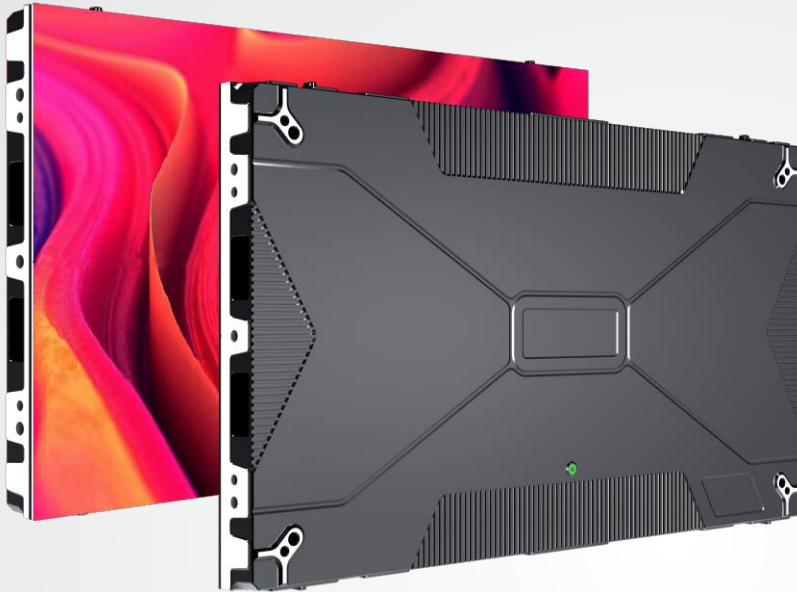


NAR plus SERIES

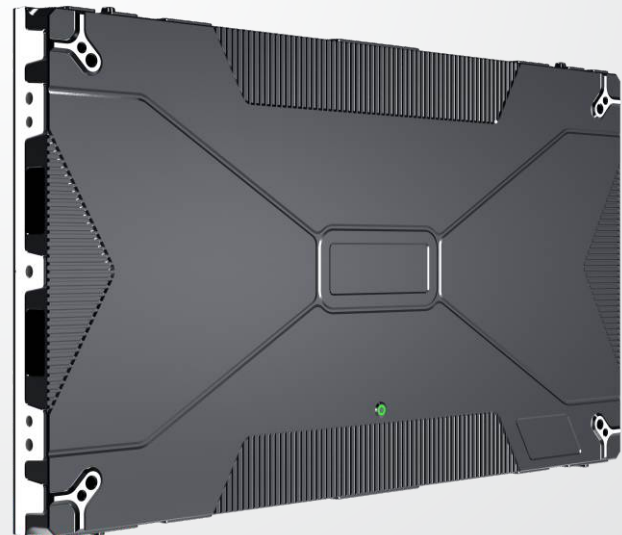
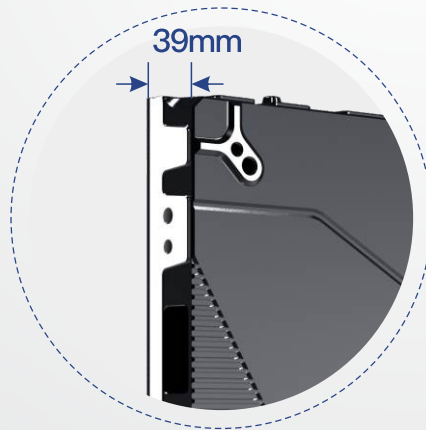
Indoor fine pitch LED display for permanent installation



Ultra thin & light panel

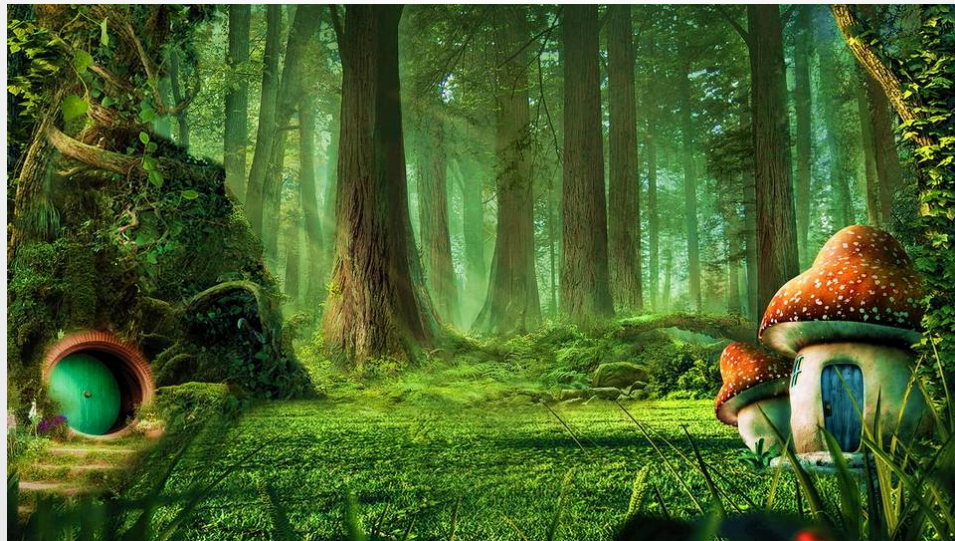
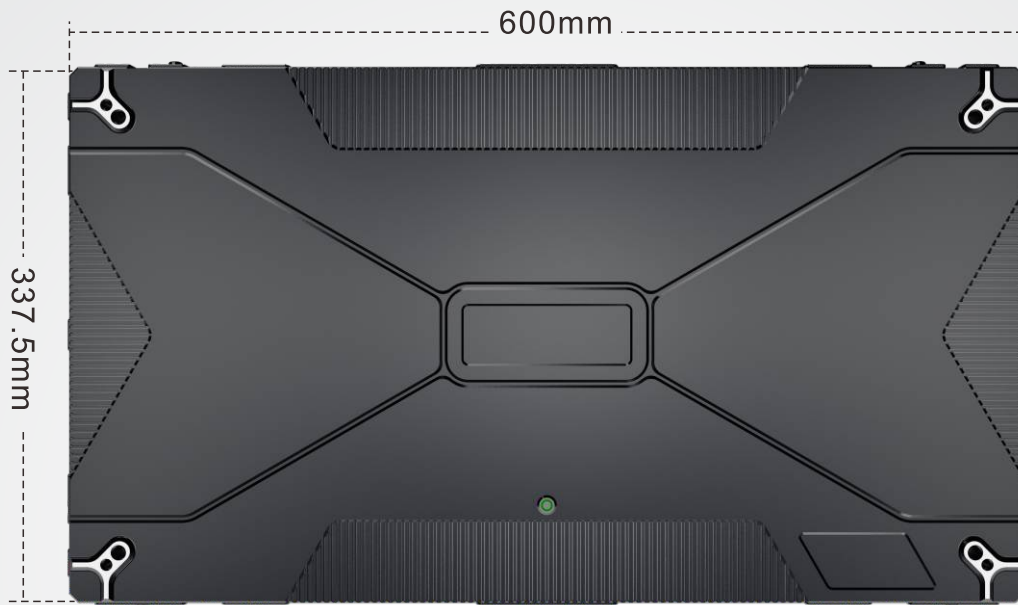


4.9 KG/panel



39mm / cabinet depth

16:9 die casting panel to form 2K/4K/8K resolution

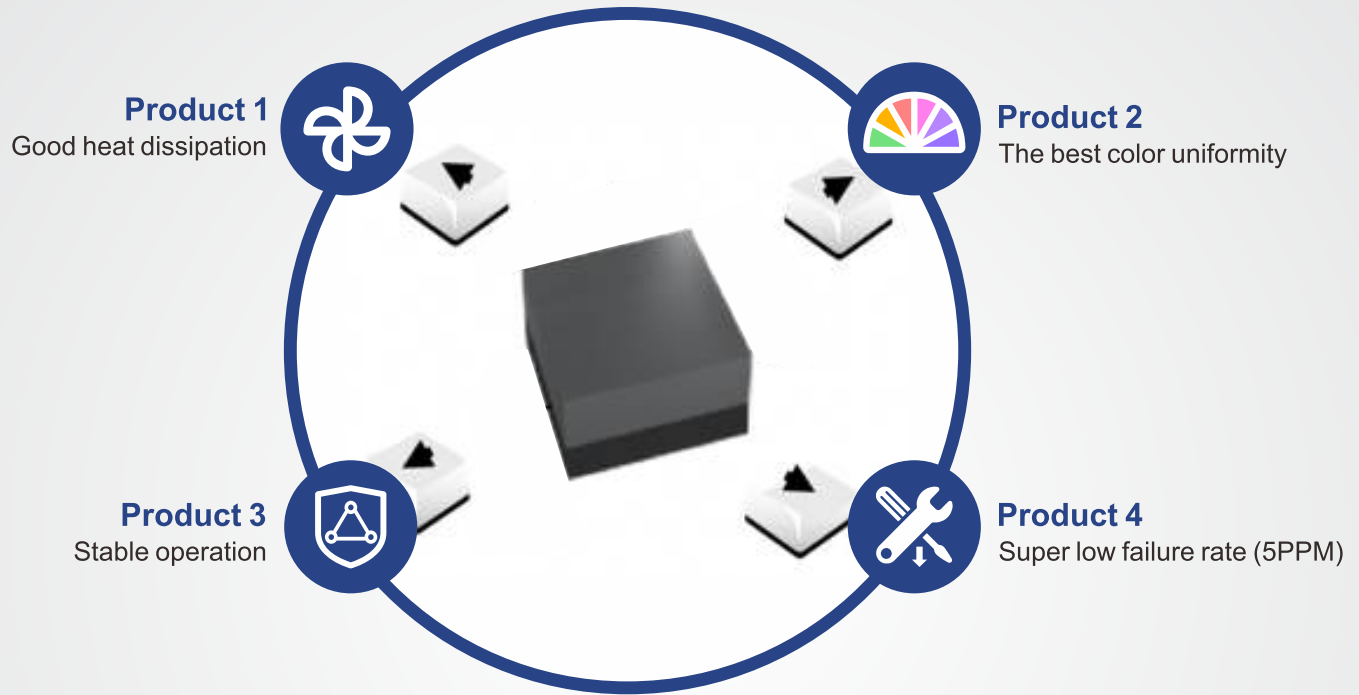


	(high:mm)						(width:mm)	
2700							8x8 (216")	
2362.5						7x7 (190")		
2025					6x6 (162")			
1687.5				5x5 (136")				
1350			4x4 (108")					
1125		3x3 (82")						
675	2x2 (54")							
337.5								
	600	1200	1800	2400	3000	3600	4200	4800

2K=1920x1080 4K=3840x2160

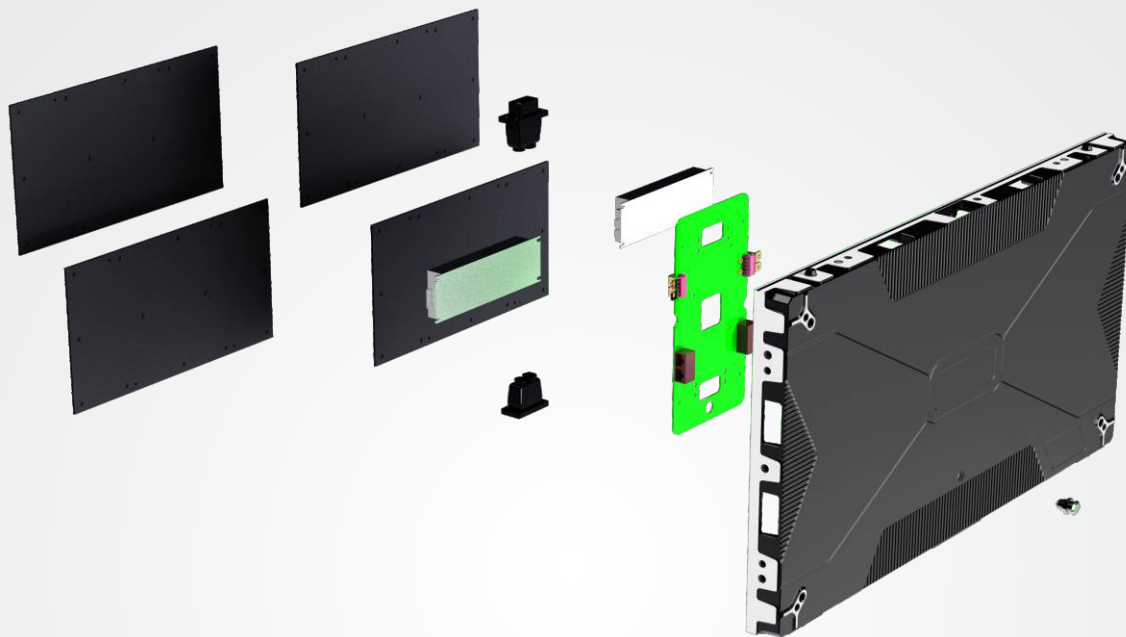
	1x1	2x2	3x3	4x4	5x5	6x6	7x7	8x8
1.25	480x270	960x540	1440x810	1920x1080	2400x1350	2880x1620	3360x1620	3840x2160
1.56	384x216	768x512	1152x648	1536x814	1920x1080	2304x1296	2688x1512	3072x1728
1.87	320x180	640x360	960x540	1280x720	1600x900	1920x1080	2240x1260	2560x1440
2.3	256x144	512x288	768x432	1024x576	1280x720	1536x864	1792x1008	2048x1152

Highly reliable LED

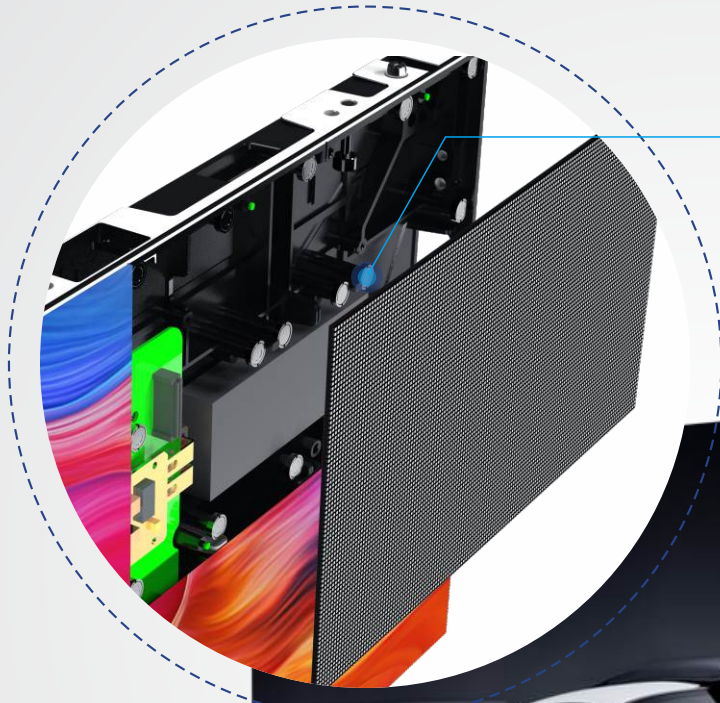


Color	Wave length	Brightness	Chip
Red chip	619-622nm	33-43mcd	Epistar
Blue chip	523-526nm	48-63mcd	Hua can
Green chip	468-471nm	11-14mcd	Hua can

Easy full front maintenance and installation



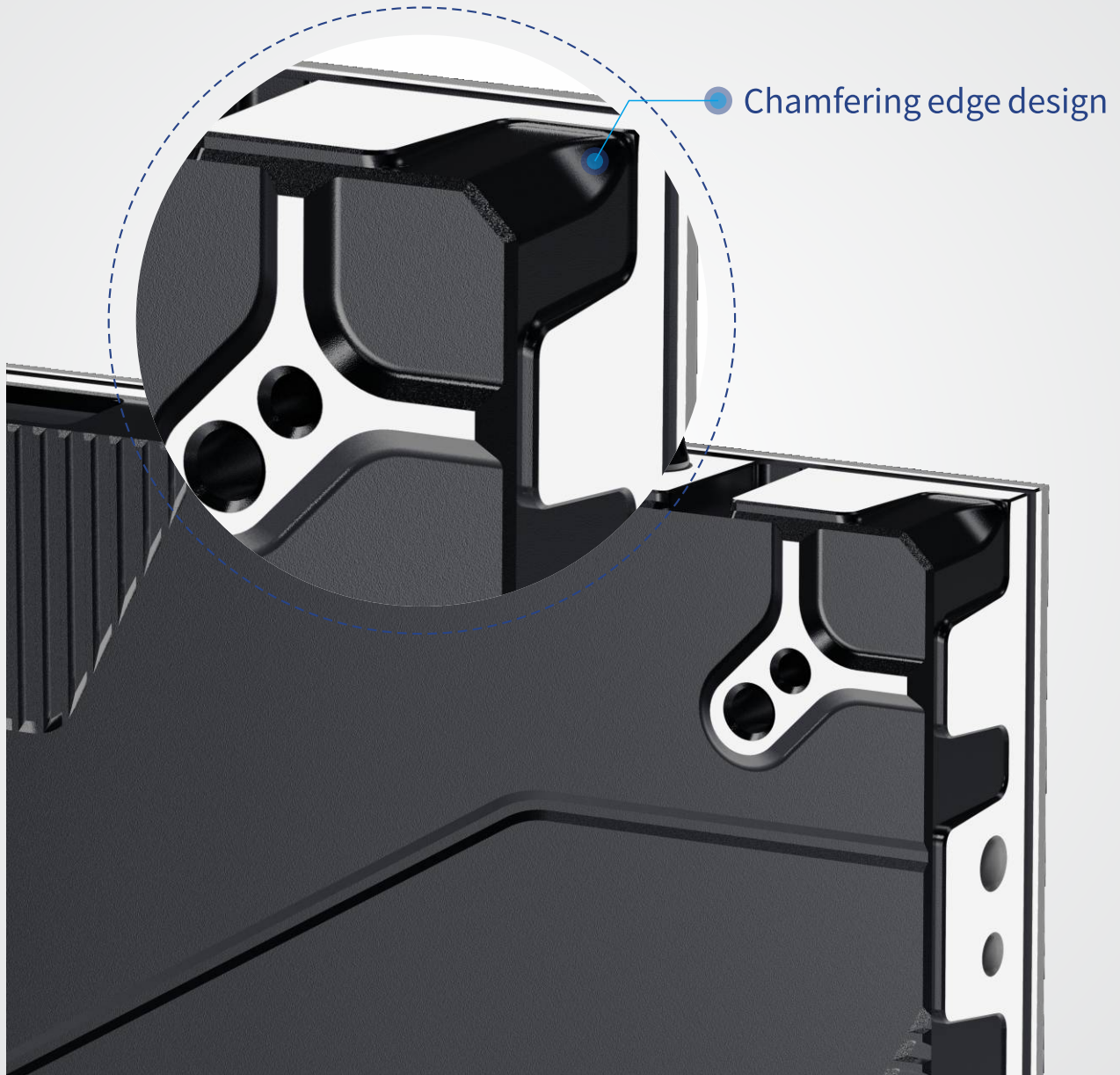
Floating connector adjustment makes perfect flatness



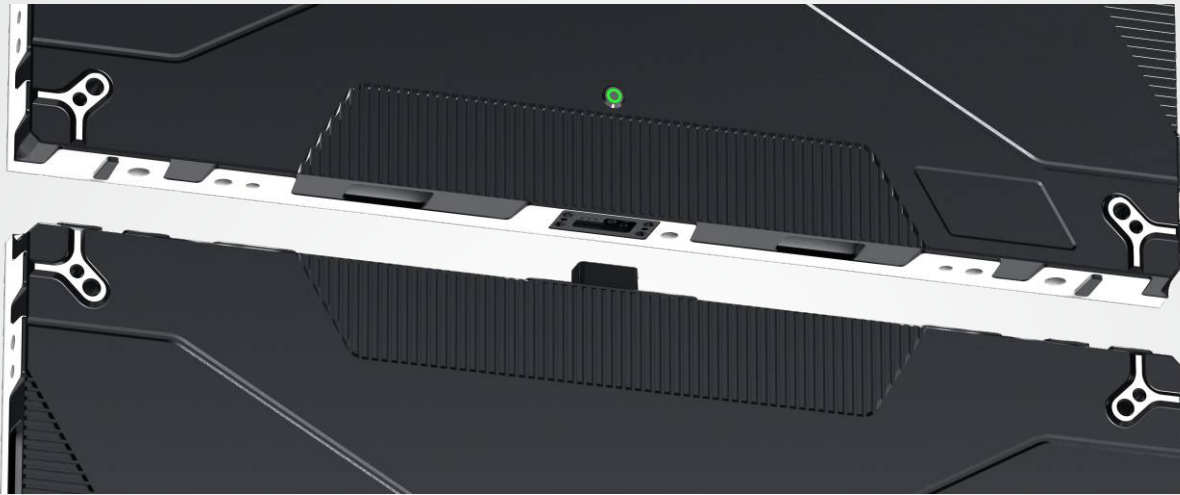
● high precision floating connector with gold coating



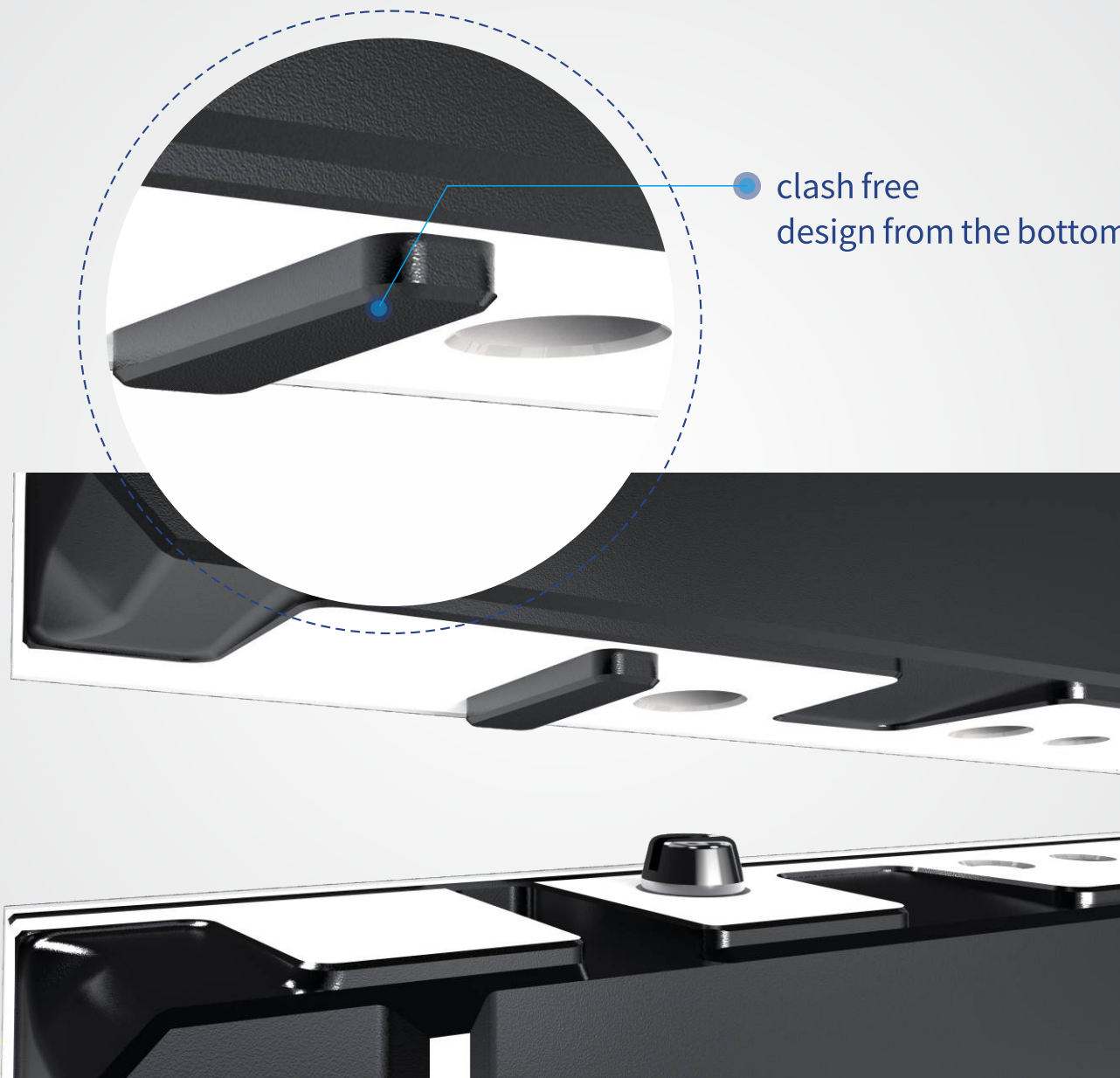
Chamfering edge design to protect scratching hands



Stacking solution available for fast & easy installation



Clash-free design to avoid hitting LEDs from the bottom



Clean and cable free



Specifications

Parameters	P1.25	P1.5623	P1.875	P2.34
SMD configuration	3 in 1	3 in 1	3 in 1	3 in 1
LED type	SMD 1010	SMD 1212	SMD 1515	SMD 1515
Brightness	≥ 1000 nit	≥ 1000 nit	≥ 1000 nit	≥ 1000 nit
Grey scale	14-16 bit	14-16 bit	14-16 bit	14-16 bit
Refresh rate	3840 hz	3840 hz	3840 hz	3840 hz
Pixel density (dot/m ²)	640000	409600	284440	182628
Contrast ratio	5000:1	5000:1	5000:1	5000:1
Panel size (mm)	600*337.5	600*337.5	600*337.5	600*337.5
Panel resolution	480*270	384*216	320*180	256*144
Module size (mm)	300*168.75	300*168.75	300*168.75	300*168.75
Module resolution	240*135	192*108	160*90	128*72
Panel weight (kg)	4.9	4.9	4.9	4.9
Panel flatness (mm)	<0.07	<0.08	<0.1	<0.1
Life time (hours)	≥100000	≥100000	≥100000	≥100000
Viewing angle (H°/V°)	160/160	160/160	160/160	160/160
Max power consumption	636 w/m ²	406 w/m ²	573 w/m ²	340 w/m ²
Avg power consumption	212 w/m ²	135 w/m ²	191 w/m ²	113 w/m ²
Operating temperature /humidity	0°C~+45°C/ 10-93%RH	0°C~+45°C/ 10-93%RH	0°C~+45°C/ 10-93%RH	0°C~+45°C/ 10-93%RH
Storage temperature /humidity	-10°C~+55°C/ 10-93%RH	-10°C~+55°C/ 10-93%RH	-10°C~+55°C/ 10-93%RH	-10°C~+55°C/ 10-93%RH



Application



Application

