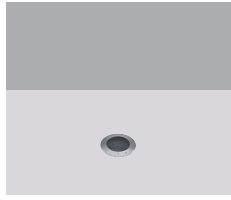
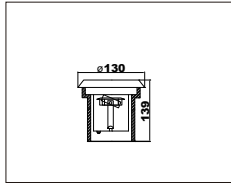


可调角地埋灯

Adjustable Underground Light



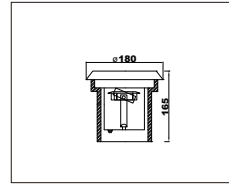
Code	Watt(w)	Optic	Flux(lm)
DM130-T6WA05	6W	5°	330lm
DM130-T6WA10	6W	10°	330lm
DM130-T6WA15	6W	15°	330lm
DM130-T6WA24	6W	24°	330lm
DM130-T6WA36	6W	36°	330lm
DM130-T6WA50	6W	50°	330lm



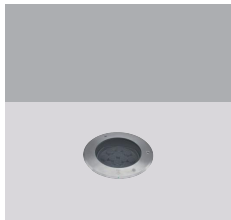
Protection: IP67/IK10
 Weight: 1.9 KG
 Physical properties: Surface temperature below 50 °C, static pressure resistance 3000KG
 Optional color temperature: single white, RGBW
 Standard driver: built-in constant current, external DC24V (need to be purchased separately)
 Optional driver: built-in 0-10V, built-in DMX512, or external DMX512, 0-10V, DALI, thyristo



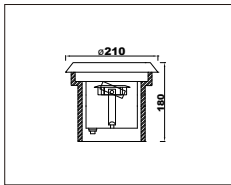
Code	Watt(w)	Optic	Flux(lm)
DM180-T12WA05	12W	5°	660lm
DM180-T12WA10	12W	10°	660lm
DM180-T12WA15	12W	15°	660lm
DM180-T12WA24	12W	24°	660lm
DM180-T12WA36	12W	36°	660lm
DM180-T12WA50	12W	50°	660lm



Protection: IP67/IK10
 Weight: 2.5 KG
 Physical properties: Surface temperature below 50 °C, static pressure resistance 3000KG
 Optional color temperature: single white, RGBW
 Standard driver: built-in constant current, external DC24V (need to be purchased separately)
 Optional driver: built-in 0-10V, built-in DMX512, or external DMX512, 0-10V, DALI, thyristo



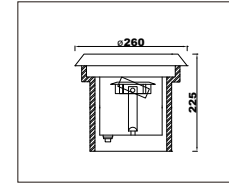
Code	Watt(w)	Optic	Flux(lm)
DM210-T24WA05	24W	5°	1320lm
DM210-T24WA10	24W	10°	1320lm
DM210-T24WA15	24W	15°	1320lm
DM210-T24WA24	24W	24°	1320lm
DM210-T24WA36	24W	36°	1320lm
DM210-T24WA50	24W	50°	1320lm



Protection: IP67/IK10
 Weight: 3.4 KG
 Physical properties: Surface temperature below 50 °C, static pressure resistance 3000KG
 Optional color temperature: single white, RGBW
 Standard driver: built-in constant current, external DC24V (need to be purchased separately)
 Optional driver: built-in 0-10V, built-in DMX512, or external DMX512, 0-10V, DALI, thyristo



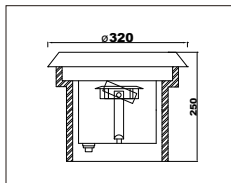
Code	Watt(w)	Optic	Flux(lm)
DM260-T36WA05	24W	5°	1980lm
DM260-T36WA10	24W	10°	1980lm
DM260-T36WA15	24W	15°	1980lm
DM260-T36WA24	24W	24°	1980lm
DM260-T36WA36	24W	36°	1980lm
DM260-T36WA50	24W	50°	1980lm



Protection: IP67/IK10
 Weight: 5.1 KG
 Physical properties: Surface temperature below 50 °C, static pressure resistance 3000KG
 Optional color temperature: single white, RGBW
 Standard driver: built-in constant current, external DC24V (need to be purchased separately)
 Optional driver: built-in 0-10V, built-in DMX512, or external DMX512, 0-10V, DALI, thyristo



Code	Watt(w)	Optic	Flux(lm)
DM320-T54WA05	54W	5°	2970lm
DM320-T54WA10	54W	10°	2970lm
DM320-T54WA15	54W	15°	2970lm
DM320-T54WA24	54W	24°	2970lm
DM320-T54WA36	54W	36°	2970lm
DM320-T54WA50	54W	50°	2970lm



Protection: IP67/IK10
 Weight: 6.8 KG
 Physical properties: Surface temperature below 50 °C, static pressure resistance 3000KG
 Optional color temperature: single white, RGBW
 Standard driver: built-in constant current, external DC24V (need to be purchased separately)
 Optional driver: built-in 0-10V, built-in DMX512, or external DMX512, 0-10V, DALI, thyristo

Glare control assory:



x1.2x4
elliptical lens



x1.5x5
elliptical lens



x1x6
elliptical lens

地埋灯系列 Underground Light



OUTDOOR LIGHTING

IN GROUND LIGHT

UNILAM LIGHT

SPOT LIGHT

DOWNLIGHT

STEP LIGHT

HANDRAIL LIGHT

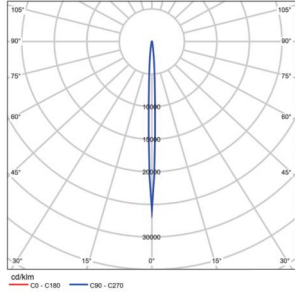
WINDOW FRAME LIGHT

WALL LIGHT

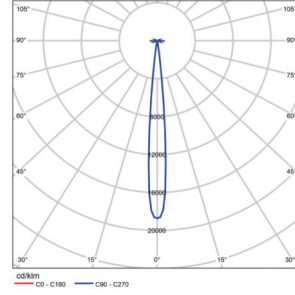
ROLLARD LIGHT

Date per 1000lm

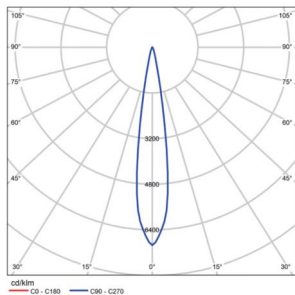
optional elliptical lens



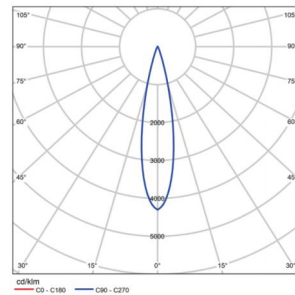
距离 [m]	光束直径 [m]	照度 [lx]
0.50	0.04	EIP1 148296 EIC0 2.1° 78954
1.0	0.07	EIP1 37024 EIC0 2.1° 19238
1.5	0.11	EIP1 16477 EIC0 2.1° 8550
2.0	0.15	EIP1 5268 EIC0 2.1° 4810
2.5	0.19	EIP1 3922 EIC0 2.1° 3078
3.0	0.23	EIP1 4119 EIC0 2.1° 2138



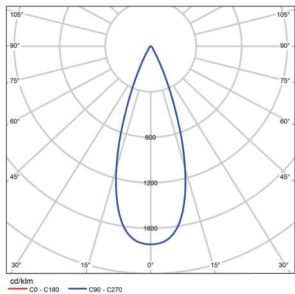
距离 [m]	光束直径 [m]	照度 [lx]
0.50	0.05	EIP1 108842 EIC0 5.0° 53459
1.0	0.17	EIP1 28735 EIC0 5.0° 13365
1.5	0.28	EIP1 11882 EIC0 5.0° 5640
2.0	0.35	EIP1 6884 EIC0 5.0° 3341
2.5	0.44	EIP1 4273 EIC0 5.0° 2138
3.0	0.52	EIP1 2871 EIC0 5.0° 1485



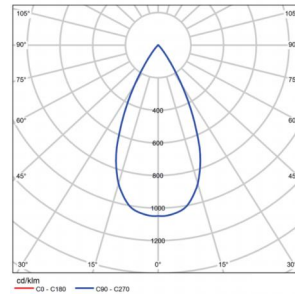
距离 [m]	光束直径 [m]	照度 [lx]
0.50	0.14	EIP1 39659 EIC0 8.1° 19501
1.0	0.28	EIP1 9915 EIC0 8.1° 4875
1.5	0.43	EIP1 4407 EIC0 8.1° 2187
2.0	0.57	EIP1 2476 EIC0 8.1° 1219
2.5	0.71	EIP1 1586 EIC0 8.1° 780
3.0	0.85	EIP1 1102 EIC0 8.1° 542



距离 [m]	光束直径 [m]	照度 [lx]
0.50	0.19	EIP1 24882 EIC0 10.8° 11794
1.0	0.38	EIP1 6145 EIC0 10.8° 2948
1.5	0.57	EIP1 2731 EIC0 10.8° 1352
2.0	0.76	EIP1 1538 EIC0 10.8° 727
2.5	0.95	EIP1 983 EIC0 10.8° 472
3.0	1.1	EIP1 683 EIC0 10.8° 323



距离 [m]	光束直径 [m]	照度 [lx]
0.50	0.33	EIP1 9954 EIC0 18.3° 4266
1.0	0.66	EIP1 2489 EIC0 18.3° 1072
1.5	0.99	EIP1 1166 EIC0 18.3° 476
2.0	1.3	EIP1 622 EIC0 18.3° 268
2.5	1.7	EIP1 368 EIC0 18.3° 171
3.0	2.0	EIP1 278 EIC0 18.3° 118



距离 [m]	光束直径 [m]	照度 [lx]
0.50	0.47	EIP1 5992 EIC0 25.1° 2228
1.0	0.94	EIP1 1490 EIC0 25.1° 557
1.5	1.4	EIP1 688 EIC0 25.1° 248
2.0	1.9	EIP1 375 EIC0 25.1° 139
2.5	2.3	EIP1 240 EIC0 25.1° 89
3.0	2.8	EIP1 186 EIC0 25.1° 62

Glare control assory:



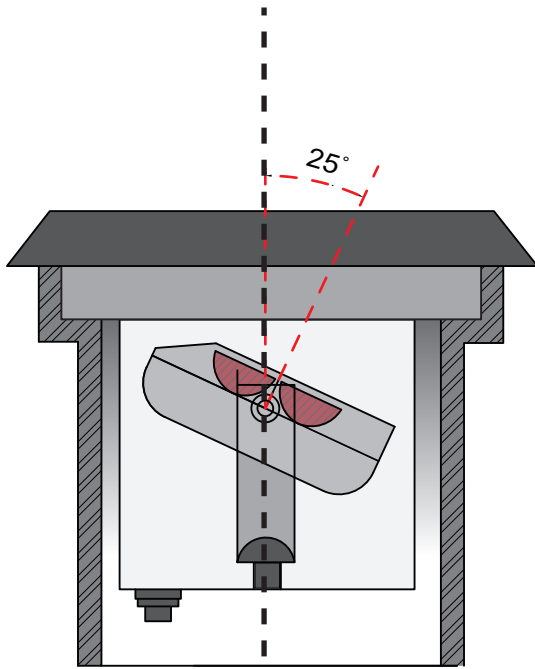
x1.2x4
elliptical lens



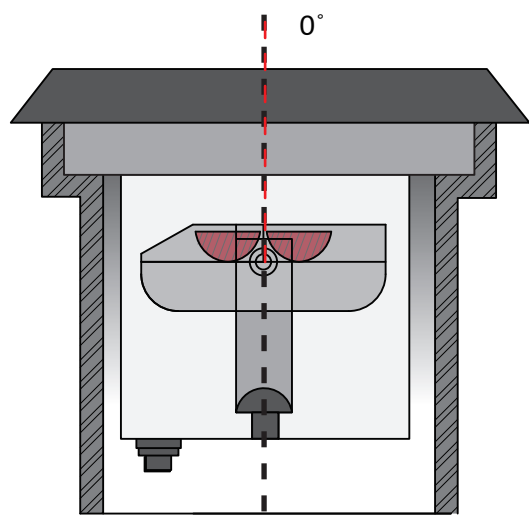
x1.5x5
elliptical lens



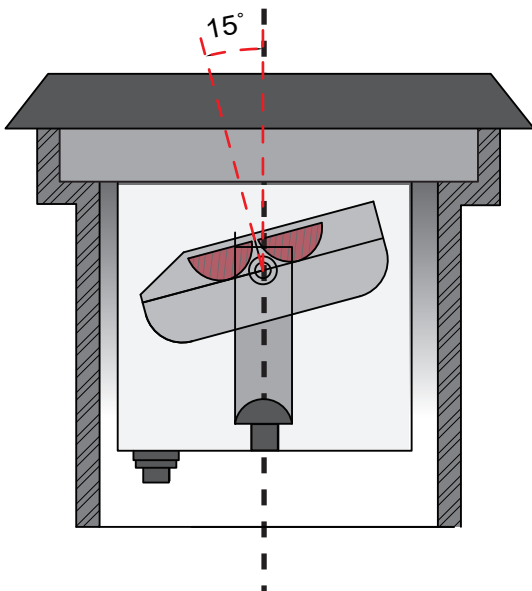
x1x6



right turn 25 degree



Vertical



turn left 15 degree

